

Connection of Sensors, Camera and Buzzer



SIDE B —



— SIDE A

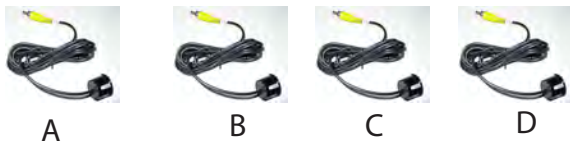
Control Box



SIDE A of Control Box



Before connecting to control box, please drill holes on bumper and place the sensors in place on bumper.



SIDE B of Control Box

Connection to Buzzer and Camera



Use video extension cord to connect between the control box and camera

Video Extension Cord

BUZZER



Connection of Monitor and Control Box

SIDE B of Control Box

Use video extension cord to connect between the control box (display) and camera



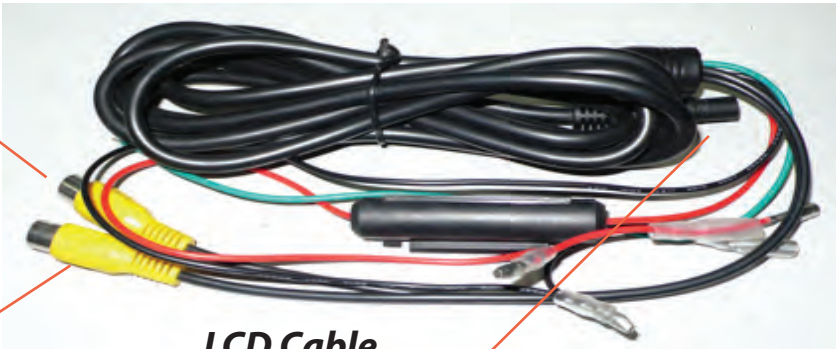
Video Extension Cord



Connects to V2 plug of LCD Cable

V1

V2



LCD Cable

V1 plug of LCD Cable can be connected to other video source such as DVD player etc.

Monitor Plug at the other end of LCD Cable



Connects the monitor plug of LCD Cable to the Mirror LCD

CORRECT



Mirror LCD

INCORRECT

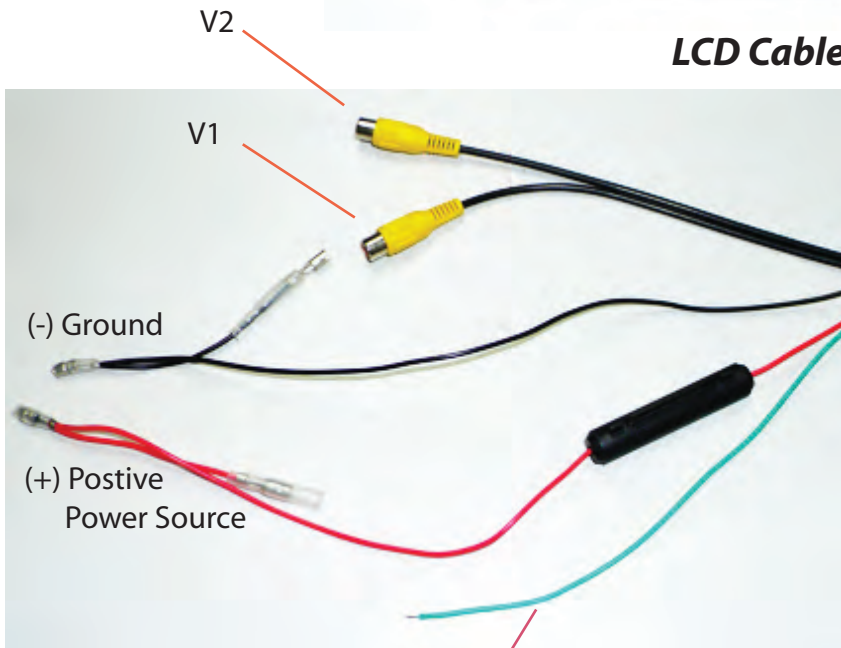
Please make sure the monitor plug is connecting to the mirror LCD plug tightly. Please refer to the correct connection showing on the left.

Detail of the LCD Cable

Please note:
Professional installation is highly recommended



LCD Cable



Monitor Plug at the other end of LCD Cable



Mirror LCD

Connect this wire to reverse light (+) source
It is very important to connect this line to reverse light.

CORRECT

It is very important to check the connection between the Mirror LCD and the LCD cable according to the demonstration showing on the left.

INCORRECT