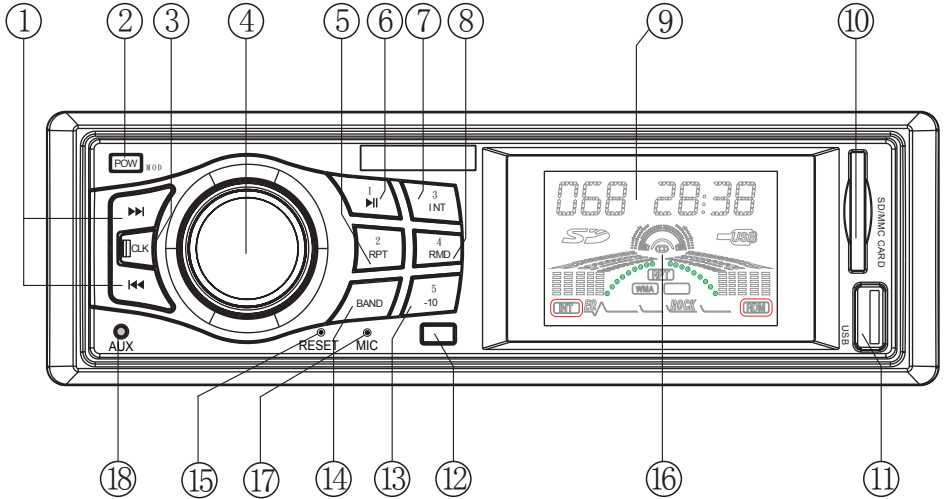


Front View and Function Description



1

Radio: Short press, search radio station manually. Long press, scan radio station automatically.
U S B / S D: Short press, select song.

2 P W R / M O D

Short press to power on. Long press to power off.
 Short press: Power on. Switch mode between Radio --> USB --> SD (only when USD / SD is inserted).
 Under Bluetooth mode, short press to end phone call.

3 C L K

Short press to start time adjust, turn (VOL / PUSH PWR) to adjust hour and minute. Press again to confirm setting.